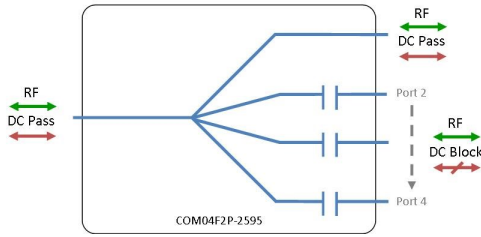


4-Way IF-Band Passive Splitter/Combiner

50-200 MHz



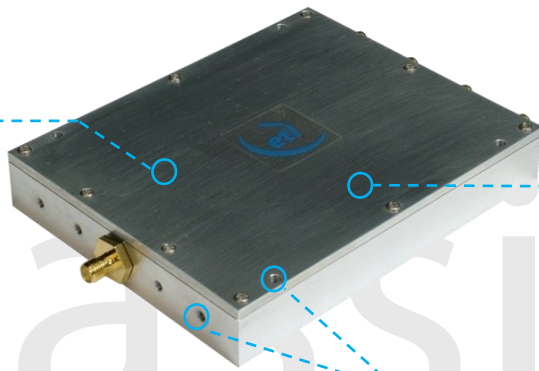
- 1 port DC Pass
- All other ports DC blocked

Available with RF connector options:

- 50 Ω SMA
- 50 Ω N-type
- 50 Ω BNC
- 75 Ω BNC
- 75 Ω F-type



50-200 MHz
Operating frequency range. L-Band ready



Compact
Housed in rugged compact enclosure

Flexible Mounting
Tapped screw & through hole mounting options

Passive

| RF Parameters | | | | | |
|--------------------------|--------------|------------|---------|---------|------------|
| COM04F2P-2595-XXXX | S5S5 | N5N5 | B5B5 | B7B7 | F7F7 |
| Frequency Range | 50 - 200 MHz | | | | |
| RF Connectors | 50Ω SMA | 50Ω N-Type | 50Ω BNC | 75Ω BNC | 75Ω F-Type |
| Mean Insertion Loss (dB) | 0.6±0.5 | 0.6±0.5 | 0.6±0.3 | 0.8±0.3 | 0.8±0.3 |
| Flatness ± (dB) | 0.2 | 0.2 | 0.2 | 0.3 | 0.3 |
| Input Return Loss (dB) | Typ. | 29 | 29 | 29 | 11 |
| | Min | 25 | 25 | 25 | 8 |
| Output Return Loss (dB) | Typ. | 21 | 21 | 21 | 9 |
| | Min | 18 | 18 | 18 | 8 |
| Isolation (dB) | Typ. | 22 | 22 | 22 | 25 |
| Amplitude Balance (dB) | ≤0.3 | ≤0.3 | ≤0.3 | ≤0.5 | ≤0.5 |
| Phase Balance (Φ) | ≤1° | ≤1° | ≤1° | ≤3° | ≤3° |

The given Insertion Loss specified is the loss above the theoretical limit for a lossless divider
 10MHz Insertion Loss is up to 3dB above the theoretical loss*
 10MHz Rejection is 20dB*
 *To ports which are applicable

Broadcast



Marine Oil & Gas



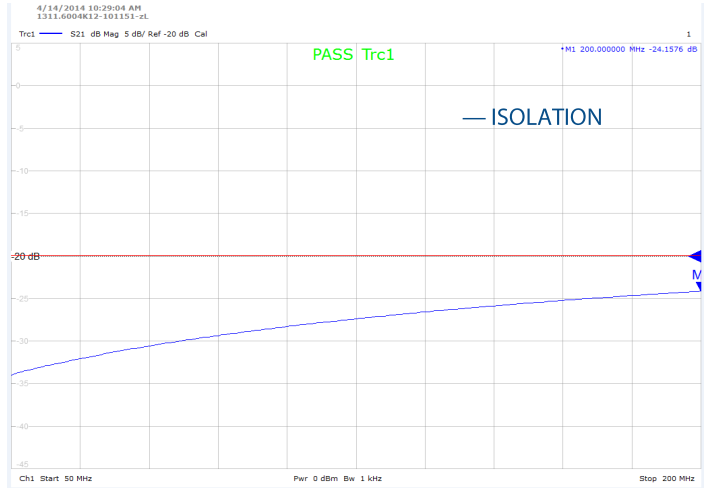
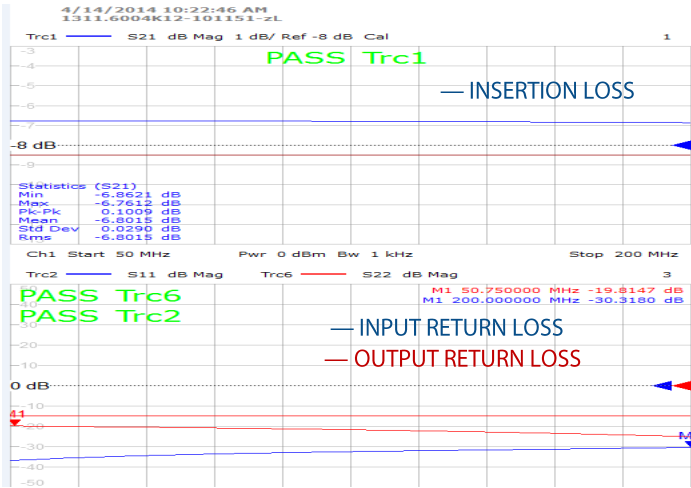
SNG & VSAT



Satellite Teleport



Technical specifications and operating parameters

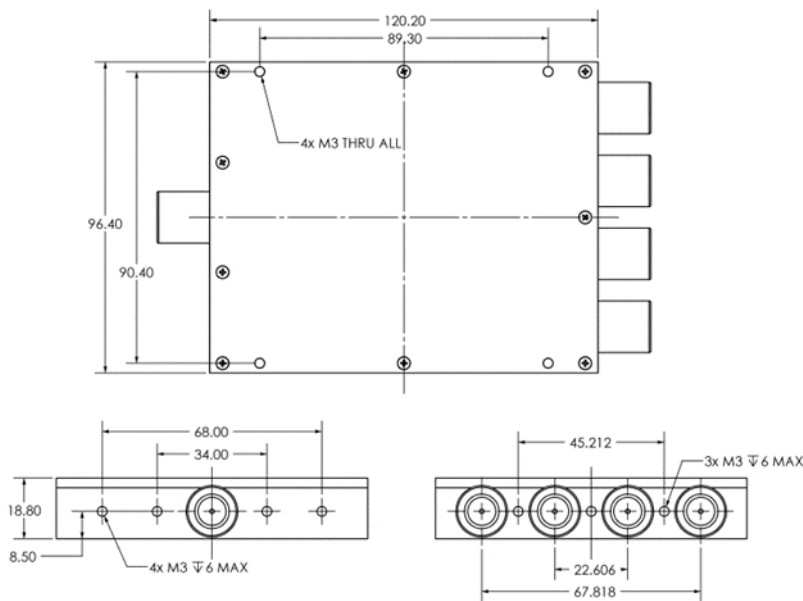


| Environmental | | |
|-----------------------|------|--------------------|
| Operating Temperature | | 0°C to +45°C |
| Storage Temperature | | -20°C to +75°C |
| Location | | Indoor use Only |
| Humidity | Max. | 85% non-condensing |
| Altitude | Max. | 10,000 feet |

| Max Operating Parameters | |
|--------------------------|----------------------------|
| Input RF Power | +27dBm (0.5W) as splitter |
| Input RF Power | +24dBm (0.25W) as combiner |
| DC Voltage | 50V on any ports |
| DC Current | 3A |

! Operation beyond these limits may cause instantaneous and permanent damage.

Physical Dimensions (mm)



Note: The specification is subject to regular reviews and will be updated from time to time as part of our continuing product development and improved specification accuracy.